



HARNESSING THE POWER OF TECHNOLOGY  
for the  
**WARFIGHTER**

***PBSE Interface CT  
Technical Topics  
Presented By: Jon Torok  
24 May 2018***

***CAPT M. H. Oesterreich, USN  
Commanding Officer  
NSWC Crane***

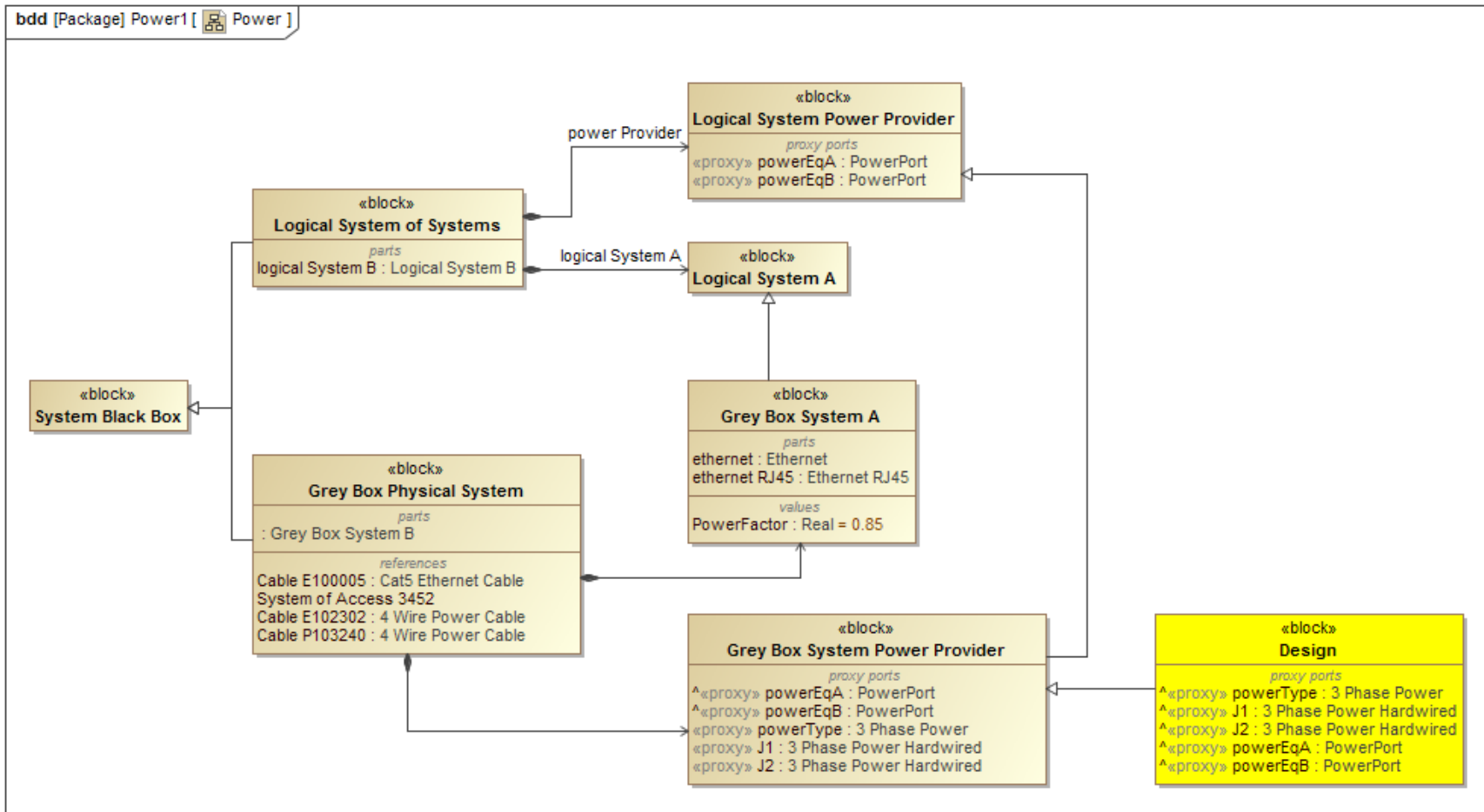
***Dr. Brett Seidle, SES  
Technical Director  
NSWC Crane***

DISTRIBUTION STATEMENT A. Approved for public release. Distribution is unlimited.

# Topics

- Mapping for pattern for model transformation
  - Preferred method over additional Profile
- Interface inheritance
- White Box ICD Table built into MagicDraw
- Interface Block Taxonomy
- Parametrics between interface layers

# Interface Inheretence



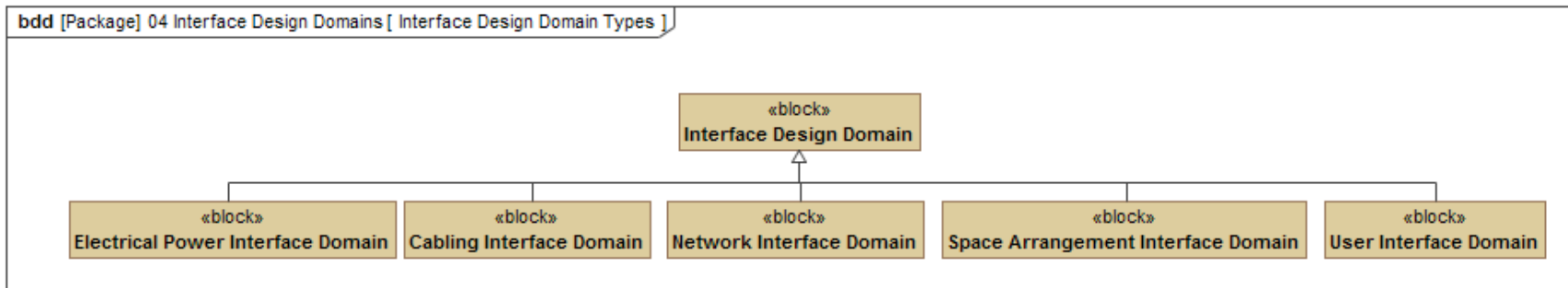
# White Box Table

Criteria

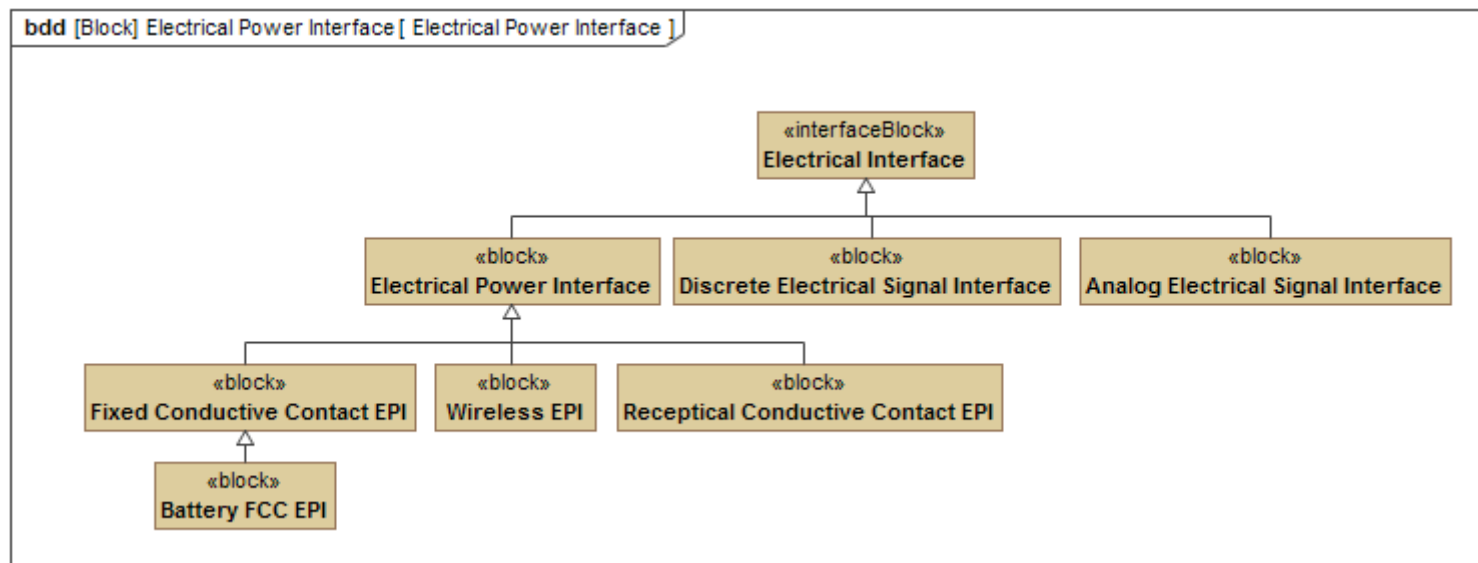
Element Type:  ... Context:  ... Filter:

#	Part A	Port A	Port A Features	Item Flow	Port B	Port B Features	Part B
1	<input type="checkbox"/> heat & valve : Controller	<input type="checkbox"/> b : Boiler Signals	<input type="checkbox"/> in status : Signals <input type="checkbox"/> out control : Signals	▶ <input type="checkbox"/> Blr Sig ◀ <input type="checkbox"/> Blr Sig	<input type="checkbox"/> c : ~Boiler Signals	<input type="checkbox"/> out status : Signals <input type="checkbox"/> in control : Signals	<input type="checkbox"/> evaporator : Boiler
2	<input type="checkbox"/> heat & valve : Controller	<input type="checkbox"/> out bp : Elec Power		▶ <input type="checkbox"/> Elec Power	<input type="checkbox"/> in p in : Elec Power		<input type="checkbox"/> evaporator : Boiler

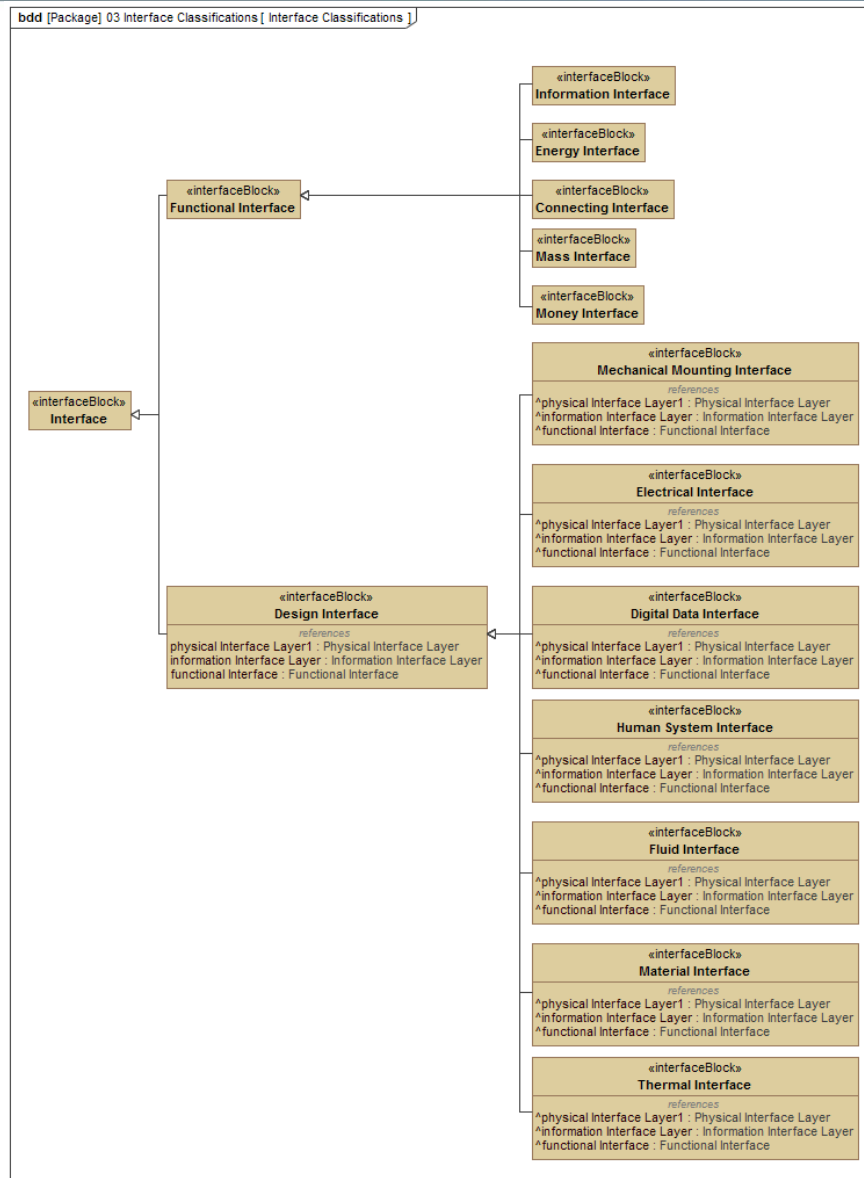
# Interface Block Taxonomy



# Interface Block Taxonomy



# Interface Block Taxonomy



# Parametrics

